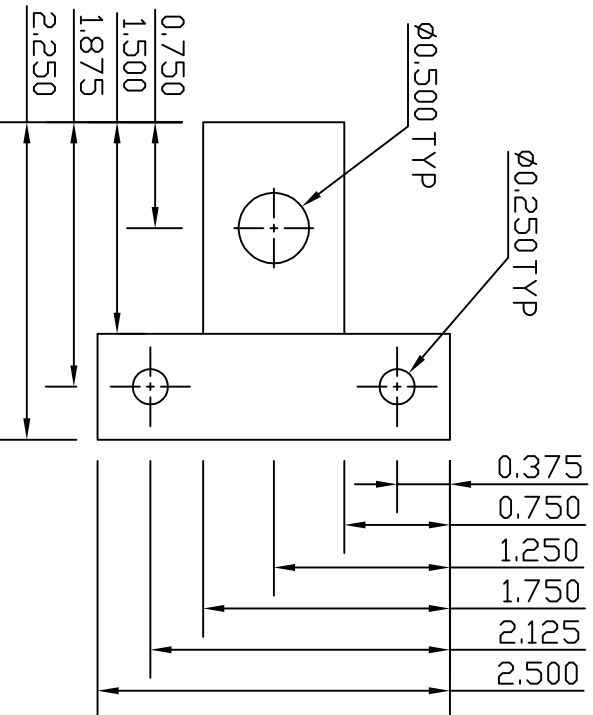
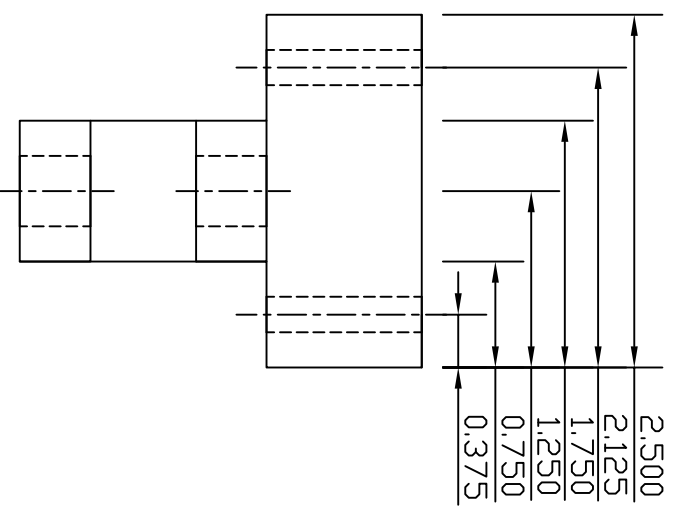
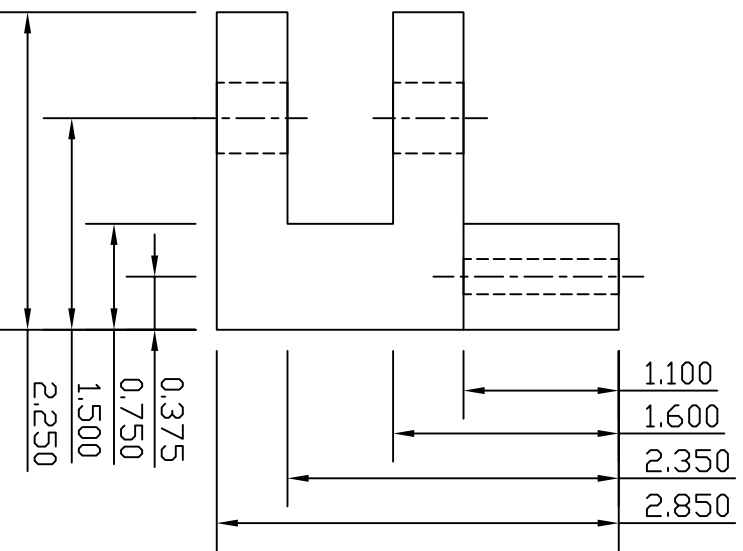


Material: Aluminium



0.750
1.500
1.875
2.250

| | |
|------------------------|------------------|
| STEERING MOUNT | |
| DRAWN BY: IVAN GOURLAY | DATE: MAR 9/07 |
| QUANTITY: 2 | DWG NO.: PHYS420 |
| UNITS: INCHES | SCALE: FIT |